

# Homeowners Guide

## Cleansing Seat

Record your model number:

Noter le numéro de modèle:

Anote su número de modelo: \_\_\_\_\_

Français, page 18

Español, página 36

**KOHLER®**

# Thank You for Choosing KOHLER

---

Need help? Contact our Customer Care Center.

- USA/Canada: 1-800-4KOHLER (1-800-456-4537)
- Mexico: 001-800-456-4537
- **For service parts information**, visit [kohler.com/serviceparts](https://kohler.com/serviceparts).
- **For care and cleaning information**, visit [kohler.com/clean](https://kohler.com/clean).
- **Patents:** [kohlercompany.com/patents](https://kohlercompany.com/patents)

## Warranty

---

This product is covered under the **KOHLER® Toilets and Seats Limited Warranty**, found at [kohler.com/warranty](https://kohler.com/warranty). For a hardcopy of warranty terms, contact the Customer Care Center.

## IMPORTANT SAFEGUARDS

---

### READ ALL INSTRUCTIONS BEFORE USING

When using electrical products, especially when children are present, basic safety precautions should always be followed, including the following:




**WARNING: Risk of personal injury.** Do not remove the UV lamp protective cover. Eye damage may result from viewing the UV light directly. Always be certain the lamp is off before opening the protective cover.




**CAUTION: Risk of personal injury.** Replacement of the UV lamp must only be performed by qualified service personnel.




**CAUTION: Risk of product damage.** Do not install this product in a location exposed to excessive moisture where condensation might form on the product surface. Provide adequate ventilation when bathing to avoid damage to the electronic components due to high humidity levels.


 **CAUTION: Risk of product damage.** Do not supply electrical power to the unit until the plumbing installation work has been completed, as it may cause the product to malfunction.

 **CAUTION: Risk of product damage.** Do not apply excessive force to the spray wand.

 **CAUTION: Risk of property or product damage.** Pushing or pulling on the water connection may cause water leakage.

 **CAUTION: Risk of product damage.** In areas where water may freeze in the pipes, make arrangements to keep the pipes warm. Any water remaining in the seat may freeze during winter storage. Allow the unit to warm to room temperature before reinstalling or using.


**NOTE:** The thermal protectors may trip during storage or transportation in warm weather causing the unit to not operate. Allow the unit to cool to room temperature before installation or operation.

 **WARNING: To reduce the risk of electrocution:**

Do not place or store this product where it can fall or be pulled into a bath or sink.

Do not place in or drop into water or other liquid.

Do not reach for a product that has fallen into water. Unplug immediately.

 **WARNING: To reduce the risk of burns, electrocution, fire, or injury to persons:**

Close supervision is necessary when this product is used by or near children, the elderly, or invalids. Adjust the temperature of the seat for the elderly, those who are incapacitated, or persons with sensitive skin.

Use this product only for its intended use as described in this manual. Only use attachments recommended by Kohler Co.

Never operate this product if it has a damaged cord or plug, if it is not working properly, if it has been dropped, damaged, or dropped into water. Return the product for examination and repair.

Keep the cord away from heated surfaces.

Never block the air openings of the product. Keep the air openings free of lint, hair, and the like.

Never use while sleeping or drowsy.

Never drop or insert any object into any opening or hose.

Do not use outdoors or operate where aerosol spray products are being used or where oxygen is being administered.

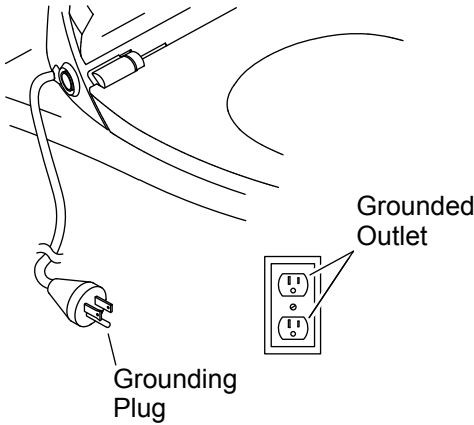
Connect this product to a properly grounded outlet only. See the “Grounding instructions” section.

This product conforms to applicable provisions of US 21 CFR, Chapter 1, Subchapter J, Radiological Health.

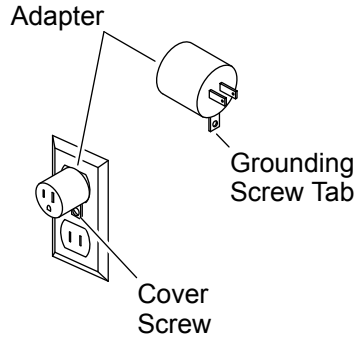
**SAVE THESE INSTRUCTIONS**

# Grounding Instructions

---



**Preferred Connection**



**Temporary Connection**



**WARNING: Risk of electric shock.** Connect only to a circuit protected by a Class A Ground-Fault Circuit-Interrupter (GFCI)\*, which protects against line-to-ground shock hazard. Use 120 V, 60 Hz, 15 A service.

This product should be grounded. In the event of an electrical short circuit, grounding reduces the risk of electric shock by providing an escape wire for the electric current. This product is equipped with a cord having a grounding wire with a grounding plug. The plug must be plugged into an outlet that is properly installed and grounded.



**DANGER: Risk of electric shock.** Improper use of the grounding plug can result in a risk of electric shock.

If repair or replacement of the cord or plug is necessary, do not connect the grounding wire to either flat blade terminal. The wire with insulation having an outer surface that is green with or without yellow stripes is the grounding wire.

Check with a qualified electrician or service personnel if the grounding instructions are not completely understood, or if in doubt whether the product is properly grounded.



**CAUTION: Risk of property damage.** A single extension cord may be used provided that the cord "Type" begins with "SJ", the cord is a 12 gauge, grounded (12/3), is no longer than 25 feet (7.6 meters), and is plugged into a GFCI\* electrical outlet. Promptly replace any extension cord that exhibits any sign of damage.

\*Outside North America, this may be known as a Residual Current Device (RCD).

**NOTICE:** Follow local codes when determining the connection type. The temporary connection may not be permitted by local electrical codes.

**NOTICE:** To avoid possible product malfunction, do not plug in the seat until instructed.

### **Preferred Connection**

Connect the grounding plug into a grounded outlet that has the same configuration as the plug.

### **Temporary Connection**

**NOTICE:** Unless the outlet cover screw is grounded through the house wiring, attaching the adapter grounding screw tab to the cover screw will NOT ground the unit. If there is any doubt whether the cover screw is grounded, have it checked by a qualified electrician or service professional.

A temporary connection with a two-prong adapter may be used where local codes permit, provided the adapter is grounded.

## Remote Control Setup

---

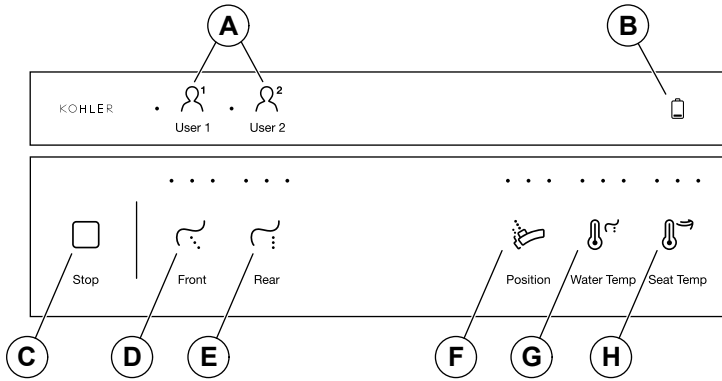
**NOTE:** A remote control must be paired with the seat before use. The included remote control should already be paired with your seat. If a replacement remote is required, follow the instructions below to pair it with your seat.

**NOTE:** Only one remote control can be paired with the seat at a time.

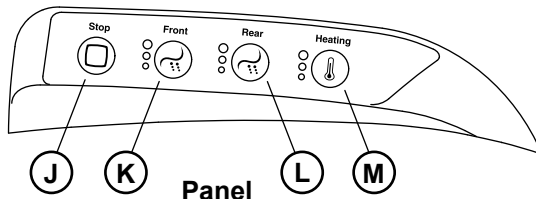
- Verify that four AA batteries are installed correctly in the remote control. Refer to the “Servicing the Batteries” section.
- Bring the new remote control near the seat.
- Verify that all other remote controls have been removed from the area of the seat.
- Press and hold the “**Seat Temp**” icon until the icon flashes.
- Simultaneously press and hold the “**Front**” and “**Rear**” icons on the seat until a beep is heard.
- When the “**Seat Temp**” icon on the remote control stops flashing and the “**User 1**” and “**User 2**” icons are no longer illuminated, the remote control has been successfully paired with the seat.

# Operation

---



**Remote Control**



**Panel**

**NOTE:** For features with multiple settings, press the icon to move the setting one level higher. If the feature is set at the highest level, pressing the icon will deactivate it or adjust it to a lower setting.

**NOTE:** Verify that four AA batteries are installed correctly in the remote control.

**(A) - User 1 and User 2:** The presets allow two users to save their feature settings. When “User 1” or “User 2” are selected, the saved preferences will activate. Refer to the “User Presets” section.

**(B) - Battery Indicator:** Shows the status of the battery charge. When the icon flashes, the batteries need to be replaced. Refer to the “Servicing the Batteries” section.

**(C and J) - Stop:** Press to stop the front wash and rear wash features.

**(D and K) - Front:** Press to activate the front wash feature and adjust the front wash water pressure. There are five settings.



**(E and L) - Rear:** Press to activate the rear wash feature and adjust the rear wash water pressure. There are five settings.

**(F) - Position:** Press to adjust the wand position when the front or rear wash is active. There are five settings.

**(G) - Water Temp:** Press to adjust the water spray temperature. There are five settings.

**(H) - Seat Temp:** Press to activate the heated seat. Press again to increase the temperature. There are five settings.

**(M) - Heating (while the wash feature is not active):** Press to activate the heated seat. Press again to increase the temperature. There are three settings.

**(M) - Heating (while the wash feature is active):** Press to adjust the temperature of the spray. Press again to increase the temperature. There are three settings.

## User Presets

---

**NOTE:** The presets allow two users to save their feature settings. When “User 1” or “User 2” are selected, the saved preferences will activate.

### Setting the User Presets

- While seated, adjust the seat features to your preferences.
- Press and hold the “User 1” or “User 2” icon for 3 seconds to save activated features at the current settings.
- To change a setting, adjust the front wash, rear wash, or dryer feature while the preset is in use. Press and hold the “User 1” or “User 2” icon for 3 seconds to store the new setting to memory.

### Using the User Presets

- Press the “User 1” or “User 2” icon while you are seated to activate front wash, rear wash, and seat temperature at your stored settings.
- If the “User 1” or “User 2” icon is pressed while the seat is not occupied, the seat will gradually (approximately 2 minutes) change to the preset temperature.
- To reset or delete a preset, press and hold the “User 1” or “User 2” and the “Stop” icons at the same time for 3 seconds.

# Enable/Disable Automatic Features

---

## Nightlight

- To enable the nightlight, press and hold the **“Front”** icon on the remote control for 3 seconds. A short beep indicates that the nightlight is enabled.
- To disable the nightlight, press and hold the **“Front”** icon on the remote control for 3 seconds. A long beep indicates that the nightlight is disabled.

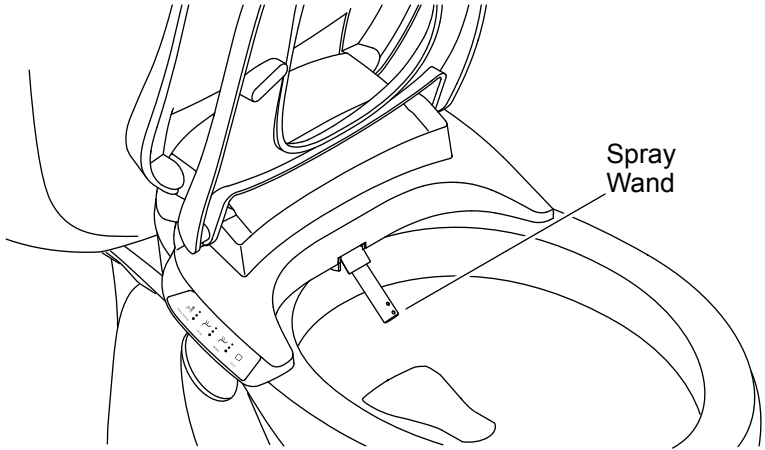
## Energy Save

**NOTE:** The Energy Save feature minimizes the use of electricity by automatically turning off the heated seat feature when the seat is least likely to be used, based on the user’s prior week of activity.

- To enable the Energy Save feature, press and hold the **“Heating”** icon for 3 seconds. A short beep indicates that the Energy Save feature is enabled.
- To disable the Energy Save feature, press and hold the **“Heating”** icon for 3 seconds. A long beep indicates that the Energy Save feature is disabled and the seat will remain at its set level even when not in use.

# Cleaning the Wand

---



**NOTE:** The spray wand can only be extended for cleaning when the seat is not activated or occupied.

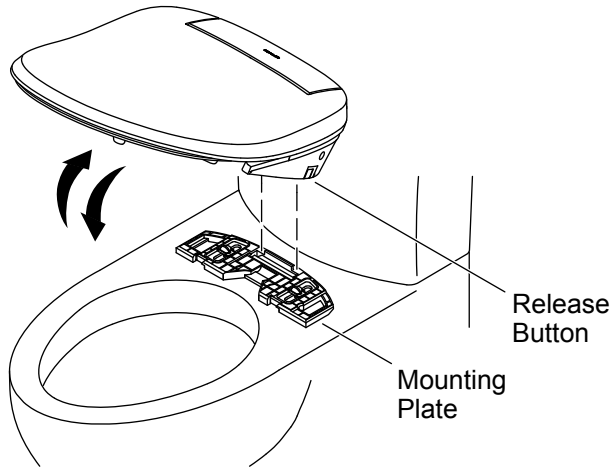
- Raise the lid and seat.
- Press the **“Rear”** icon on the panel to extend the wand forward for cleaning.
- Clean the spray wand with a soft-bristled brush and hot water.
- Press the **“Stop”** icon on the panel to retract the wand.

## **Automatic UV Disinfection (If Equipped)**

- An automatic UV disinfecting cycle activates every 24 hours.
- Lifting the seat lid will end a UV cycle that is in process.

# Removing the Seat

---



**IMPORTANT!** When removing the seat for cleaning, take care to avoid exerting any force on the hose connections.

## For Cleaning

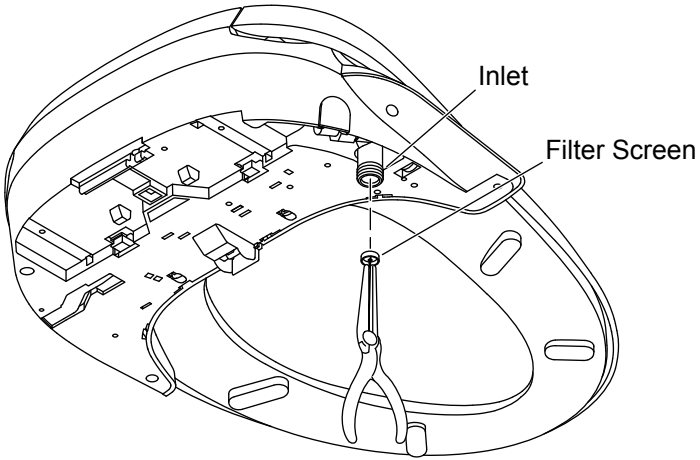
- Press and hold the release button.
- Tilt the seat up and lift to remove. Avoid putting pressure on the hoses.
- Clean the area as needed.
- To reinstall, engage the rear edge of the seat with the lip on the mounting bracket. Then tilt the seat down to lock into place.

## For Servicing

- Turn OFF the water at the supply stop.
- Flush the toilet to relieve any pressure from the supply hose.
- Unplug the power cord from the electrical outlet.
- Disconnect the water supply hose from the T-valve.
- Press and hold the release button.
- Tilt the seat up and lift to remove.
- When servicing is complete, reinstall the seat and reconnect all components.

# Cleaning the Screen

---



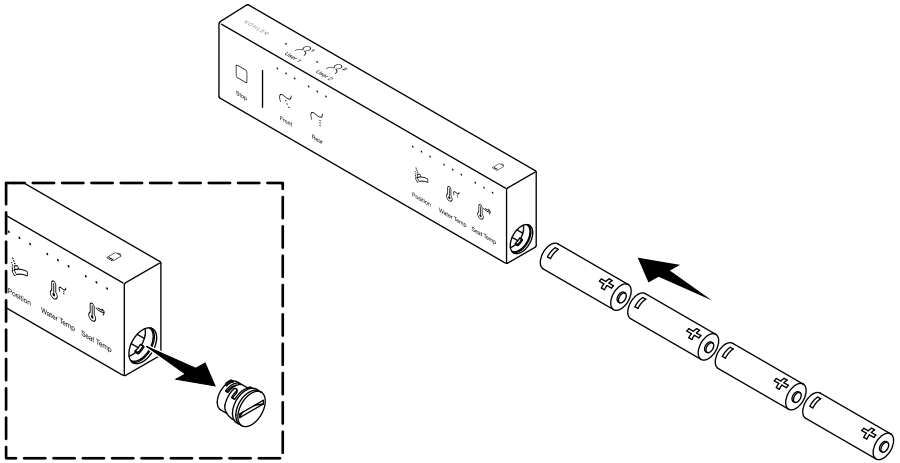
**⚠ CAUTION: Risk of product damage.** Do not cross-thread the hose connection to the inlet.

**NOTE:** Clean the filter screen every 6 months or when there is a reduction in the maximum water flow from the spray wand.

- Turn OFF the water at the supply stop.
- Press the release button to disengage the seat from the mounting bracket. Refer to the "Removing the Seat" section.
- Tilt the seat up and lift to allow access to the hose inlet.
- Disconnect the water supply hose from the seat connection.
- Using long-nosed pliers, carefully remove the filter screen from the inlet.
- Clean the filter screen with a soft-bristled brush.
- Reinstall the filter screen.
- Reconnect the water supply hose to the inlet, one-quarter turn past hand-tight.
- Reinstall the seat.
- Turn ON the water supply.
- Check all connections for leaks, and make adjustments as needed.

# Servicing the Batteries

---



- Remove the remote control from the remote dock.
- Remove and retain the cap to the battery compartment.
- Remove the batteries.
- Install the replacement batteries, oriented as shown.
- Reinstall the cover to the battery compartment.
- Place the remote control on the remote dock.

# Troubleshooting

---

This troubleshooting guide is for general aid only. A Kohler Co. Authorized Service Representative or qualified electrician should correct any electrical problems. For warranty service, call 1-800-4KOHLER from within the USA and Canada, or 001-800-456-4537 from within Mexico.

## Cleansing Features Troubleshooting

Symptoms	Probable Cause	Recommended Action
1. The seat features are not working.	<ul style="list-style-type: none"><li>A. A power failure has occurred.</li><li>B. The power cord is unplugged.</li><li>C. The Ground-Fault Circuit-Interrupter (GFCI) or Residual Current Device (RCD) is tripped.</li><li>D. The user is not detected by the seat sensor.</li></ul>	<ul style="list-style-type: none"><li>A. Wait until power is restored.</li><li>B. Plug the power cord into a GFCI or RCD electrical outlet.</li><li>C. Reset the GFCI or RCD.</li><li>D1. Shift your position on the seat. The sensor is located on the front of the seat.</li><li>D2. Small children may be too light to be detected by the sensor.</li></ul>
2. The seat is loose.	<ul style="list-style-type: none"><li>A. The mounting plate fasteners are loose.</li></ul>	<ul style="list-style-type: none"><li>A. Tighten the fasteners. Refer to the Installation Instructions.</li></ul>
3. Water stops flowing from the spray wand before cleansing is complete.	<ul style="list-style-type: none"><li>A. Washing automatically stops 5 minutes after pressing a spray icon.</li><li>B. The user shifted position and is no longer detected by the seat sensor.</li></ul>	<ul style="list-style-type: none"><li>A. Press the “<b>Front</b>” or “<b>Rear</b>” icon to restart cleansing.</li><li>B. Shift your position on the seat. The sensor is located on the front of the seat.</li></ul>

## Remote Control Troubleshooting

Symptoms	Probable Cause	Recommended Action
1. The remote control is not turning on.	<b>A.</b> The batteries are not properly installed. <b>B.</b> The batteries need to be replaced.	<b>A.</b> Reinstall the batteries. Refer to the “Servicing the Batteries” section. <b>B.</b> Replace the batteries. Refer to the “Servicing the Batteries” section.
2. The remote control is not connecting to the seat.	<b>A.</b> The remote control is too far from the seat to receive a signal. <b>B.</b> The remote control is not paired with the seat.	<b>A.</b> Move the remote control closer to the seat to regain a connection. <b>B.</b> Pair the remote control to the seat. Refer to the “Remote Control Setup” section.

## Compliance

---

### FCC ID: N82-KOHLER030, N82-KOHLER031

This device complies with Part 15 of the FCC Rules. Operation is subject to the following two conditions: (1) this device may not cause harmful interference, and (2) this device must accept any interference received, including interference that may cause undesired operation.

Changes or modifications not expressly approved by the party responsible for compliance could void the user’s authority to operate the equipment.

This equipment has been tested and found to comply with the limits for a Class B digital device, pursuant to Part 15 of the FCC Rules. These limits are designed to provide reasonable protection against harmful interference in a residential installation. This equipment generates, uses, and can radiate radio frequency energy and, if not installed and used in accordance with the instructions, may cause harmful interference to radio communications. However, there is no guarantee that interference will not occur in a particular installation. If this equipment does cause harmful interference to radio or television reception, which can be determined by turning the equipment off and on, the user is encouraged to try to correct the interference by one of the following measures:



- Reorient or relocate the receiving antenna.
- Increase the separation between the equipment and receiver.
- Connect the equipment into an outlet on a circuit different from that to which the receiver is connected.
- Consult the dealer or an experienced radio/TV technician for help.

### **RF Exposure Warning**

This transmitter with its antenna complies with FCC's RF exposure limits for general population/uncontrolled exposure. This device must not be co-located or operated in conjunction with any other antenna or transmitter. This device should be operated with a minimum distance of 7-7/8" (200 mm) between the radiator and your body.

### **IC: 4554A-KOHLER030, 4554A-KOHLER031**

This device complies with Industry Canada license-exempt RSS standard(s). Operation is subject to the following two conditions: (1) this device may not cause interference, and (2) this device must accept any interference, including interference that may cause undesired operation of the device.

Under Industry Canada regulations, this radio transmitter may only operate using an antenna of a type and maximum (or lesser) gain approved for the transmitter by Industry Canada. To reduce potential radio interference to other users, the antenna type and its gain should be so chosen that the equivalent isotropically radiated power (EIRP) is not more than that necessary for successful communication.

# Guía del usuario

## Siège nettoyant

FR

### Merci d'avoir choisi KOHLER

---

**Besoin d'aide?** Appeler notre centre de services à la clientèle.

- USA/Canada : 1-800-4KOHLER (1-800-456-4537)
- Mexique : 001-800-456-4537
- **Pour tout renseignement sur les pièces de rechange**, visiter le site [kohler.com/serviceparts](http://kohler.com/serviceparts).
- **Pour des renseignements sur l'entretien et le nettoyage**, visiter le site [kohler.com/clean](http://kohler.com/clean).
- **Brevets** : [kohlercompany.com/patents](http://kohlercompany.com/patents)

### Garantie

---

Ce produit est couvert sous la **Garantie limitée pour toilettes et sièges KOHLER®**, fournie sur le site [kohler.com/warranty](http://kohler.com/warranty). Pour obtenir une copie imprimée des termes de la garantie, s'adresser au centre de service à la clientèle.

### MESURES DE SÉCURITÉ IMPORTANTES







---

#### LIRE TOUTES LES INSTRUCTIONS AVANT UTILISATION


Lors de l'utilisation de produits électriques, et en particulier en présence d'enfants, toujours observer les mesures de sécurité fondamentales, notamment :



**AVERTISSEMENT : Risque de blessures.** Ne pas retirer le couvercle de protection de la lampe UV. Les yeux pourraient subir des lésions lorsque l'on regarde directement dans la lumière UV. Toujours s'assurer que la lampe est éteinte avant d'ouvrir le couvercle de protection.

-  **ATTENTION : Risque de blessures.** Le remplacement de la lampe UV peut seulement être effectué par un personnel d'entretien qualifié.
-  **ATTENTION : Risque d'endommagement du produit.** Ne pas installer ce produit dans un emplacement exposé à un excès d'humidité et où de la condensation pourrait se former sur la surface du produit. Fournir une ventilation adéquate lors des bains afin d'éviter d'endommager les composants électroniques en raison de niveaux d'humidité élevés.
-  **ATTENTION : Risque d'endommagement du produit.** Ne pas fournir d'alimentation électrique au dispositif avant d'avoir achevé le travail d'installation de la plomberie, étant donné que cela pourrait créer des problèmes de fonctionnement.
-  **ATTENTION : Risque d'endommagement du produit.** Ne pas appliquer de force excessive sur la baguette d'arrosage.
-  **ATTENTION : Risque de dommages matériels ou d'endommagement du produit.** Des fuites d'eau pourraient se produire si l'on pousse ou tire sur le raccord d'eau.
-  **ATTENTION : Risque d'endommagement du produit.** Prendre les mesures nécessaires pour maintenir les tuyaux au chaud dans les régions où l'eau pourrait geler dans les tuyaux. Toute l'eau qui reste dans le siège pourrait geler pendant l'entreposage en hiver. Laisser le dispositif se réchauffer à la température ambiante avant de le réinstaller ou de l'utiliser.


**REMARQUE :** Les protecteurs thermiques pourraient se déclencher pendant l'entreposage ou le transport par temps chaud, et le dispositif ne fonctionnera pas. Laisser le dispositif se refroidir à la température ambiante avant de l'installer ou de l'utiliser.

 **AVERTISSEMENT : Pour réduire le risque d'électrocution :**

Ne pas placer ou entreposer ce produit dans un endroit où il pourrait tomber ou d'où il pourrait être tiré et tomber dans une baignoire ou un lavabo.

Ne pas placer et ne pas laisser tomber ce dispositif dans de l'eau ou un autre liquide.

Ne pas essayer de récupérer un produit qui est tombé dans de l'eau. Débrancher le dispositif immédiatement.

 **AVERTISSEMENT : Pour réduire le risque de brûlures, d'électrocution, d'incendie ou de blessures personnelles :**

Il est nécessaire de superviser de près lorsque ce produit est utilisé par des enfants, des personnes âgées ou invalides, ou lorsqu'il se trouve dans leur proximité. Ajuster la température du siège pour les personnes âgées, les personnes frappées d'incapacité, ou les personnes dont la peau est sensible.

Utiliser ce produit uniquement pour l'usage auquel il est destiné, comme décrit dans ce manuel. Uniquement utiliser des accessoires recommandés par Kohler Co.

Ne jamais faire fonctionner ce produit si son cordon ou sa prise sont endommagés, s'il ne fonctionne pas correctement, s'il est tombé, s'il est endommagé, ou s'il est tombé dans de l'eau. Retourner le produit pour le faire examiner et réparer.

Tenir le cordon à distance de surfaces chauffées.

Ne jamais bloquer les ouvertures d'air du produit. S'assurer de l'absence de peluches, de cheveux ou d'autres éléments similaires sur les ouvertures d'air.

Ne jamais utiliser ce dispositif lorsque l'on dort ou si l'on se sent somnolent.

Ne jamais faire tomber ou insérer un objet quelconque dans une ouverture ou un tuyau.

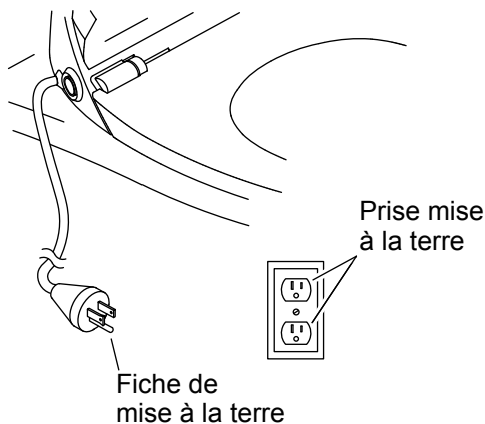
Ne pas utiliser ce dispositif à l'extérieur et ne pas le faire fonctionner en présence de produits aérosols ou si l'on administre de l'oxygène.

Connecter ce produit à une prise mise à la terre de manière adéquate uniquement. Voir la section « Instructions de mise à la terre ».

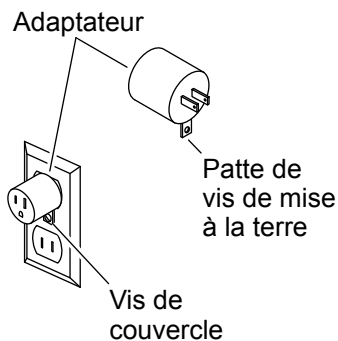
Ce produit est conforme aux conditions applicables de l'US 21 CFR, Chapitre 1, Sous-chapitre J, Radiological Health (Hygiène radiologique).

**CONSERVER CES INSTRUCTIONS**

# Instructions de mise à la terre



**Connexion préférable**



**Connexion temporaire**

**⚠ AVERTISSEMENT : Risque d'électrocution.** Seulement raccorder à un circuit qui est protégé par un disjoncteur de fuite de terre (GFCI)\* de Classe A qui protège contre les risques d'électrocution de tension phase-terre. Utiliser un service de 120 V, 60 Hz, 15 A.

Ce produit doit être mis à la terre. En cas de court-circuit électrique, la mise à la terre réduit le risque de choc électrique en fournissant un câble d'échappement pour le courant électrique. Ce produit est équipé d'un cordon muni d'un câble de mise à la terre avec une fiche de mise à la terre. Cette fiche doit être branchée dans une prise installée et mise à la terre de manière adéquate.

**⚠ DANGER : Risque d'électrocution.** L'utilisation incorrecte de la fiche de mise à la terre peut résulter en risque de choc électrique.

S'il est nécessaire de réparer ou de remplacer le cordon ou la fiche, ne pas brancher le câble de mise à la terre à l'une des bornes à lame plate. Le câble avec isolation dont l'extérieur est vert avec ou sans rayures jaunes est le câble de mise à la terre.

Vérifier auprès d'un électricien qualifié ou d'un dépanneur si les instructions de mise à la terre ne sont pas bien comprises ou en cas de doute sur la mise à la terre adéquate du produit.



**ATTENTION : Risque de dommages matériels.** Il est possible d'utiliser une seule rallonge à condition que le « Type » de rallonge commence avec « SJ », qu'elle soit de calibre 12, qu'elle soit mise à la terre (12/3), qu'elle ne dépasse pas 25 pi (7,6 mètres), et qu'elle soit branchée dans une prise électrique GFCI\*. Remplacer immédiatement une rallonge qui exhibe des signes de dommages quelconques.

\*Hors de l'Amérique du Nord, ce dispositif peut être connu sous le nom de dispositif à courant résiduel (RCD).

**AVIS :** Suivre les codes locaux lors de la détermination du type de connexion. La connexion temporaire pourrait ne pas être permise par les codes électriques locaux.

**AVIS :** Ne pas brancher le siège avant instruction spécifique, afin d'éviter la possibilité d'un mauvais fonctionnement du produit.

### **Connexion préférable**

Connecter la fiche de mise à la terre à une prise mise à la terre ayant la même configuration que celle de la fiche.

### **Connexion temporaire**

**AVIS :** À moins que la vis du couvercle de la prise ne soit mise à la terre à travers le câblage du logement, la fixation de la languette de la vis de mise à la terre de l'adaptateur à la vis du couvercle ne met PAS le dispositif à la terre. En cas de doute quelconque quant à la mise à la terre de la vis du couvercle, demander à un électricien qualifié ou à un technicien professionnel de vérifier.

Une connexion temporaire avec un adaptateur à deux broches peut être utilisée là où les codes locaux le permettent, à condition que l'adaptateur soit mis à la terre.

# Télécommande Configuration

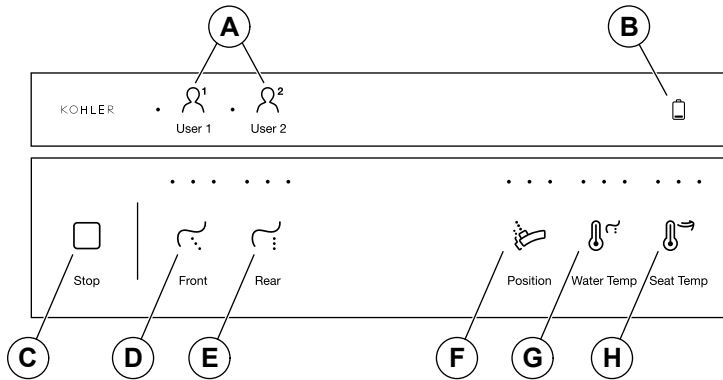
---

**REMARQUE :** Une télécommande doit être appariée avec le siège avant utilisation. La télécommande incluse devrait déjà être appariée avec le siège. Si une télécommande de rechange est requise, suivre les instructions ci-dessous pour l'apparier avec le siège.

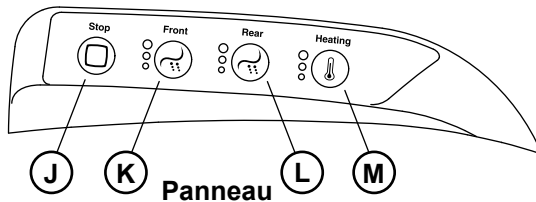
**REMARQUE :** Une seule télécommande peut être appariée avec le siège à la fois.

- Vérifier que quatre piles AA sont installées correctement dans la télécommande. Se référer à la section « Entretien des piles ».
- Amener la nouvelle télécommande à proximité du siège.
- S'assurer que toutes les autres télécommandes ont été retirées de la zone du siège.
- Appuyer sur l'icône « **Seat Temp** » (**Temp siège**) et continuer à appuyer jusqu'à ce que l'icône clignote.
- Appuyer simultanément sur les icônes « **Front** » (**Avant**) et « **Rear** » (**Arrière**) et continuer à appuyer jusqu'à ce qu'un bip retentisse.
- Lorsque l'icône « **Seat Temp** » (**Temp siège**) de la télécommande s'arrête de clignoter et que les icônes « **User 1** » (**Utilisateur 1**) and « **User 2** » (**Utilisateur 2**) ne sont plus allumées, la télécommande a été appariée avec succès avec le siège.

# Fonctionnement



**Télécommande**



**Panneau**

**REMARQUE :** Pour les fonctions avec plusieurs réglages, appuyer sur l'icône pour déplacer le réglage à un niveau supérieur. Si la fonction est réglée au niveau le plus élevé, elle se désactive si l'on appuie sur l'icône, ou ajuster la fonction à un réglage inférieur.

**REMARQUE :** Vérifier que quatre piles AA sont installées correctement dans la télécommande.

**(A) - Utilisateur 1 et Utilisateur 2 :** Les pré-réglages permettent à deux utilisateurs d'enregistrer leurs réglages des fonctions. Lorsque les options « **User 1** » (**Utilisateur 1**) ou « **User 2** » (**Utilisateur 2**) sont sélectionnées, les préférences enregistrées sont activées. Se référer à la section « Préréglages utilisateur ».

**(B) - Indicateur de batterie :** Indique l'état de charge de la batterie. Lorsque l'icône clignote, il est nécessaire de remplacer les piles. Se référer à la section « Entretien des piles ».

**(C et J) - Arrêt :** Appuyer pour arrêter les fonctions de lavage avant et de lavage arrière.



**(D et K) - Avant :** Appuyer pour activer la fonction de lavage avant et ajuster la pression d'eau de lavage avant. Cinq réglages sont possibles.

**(E et L) - Arrière :** Appuyer pour activer la fonction de lavage arrière et ajuster la pression d'eau de lavage arrière. Cinq réglages sont possibles.

**(F) - Position :** Appuyer pour ajuster la position de la baguette lorsque le lavage avant ou arrière est activé. Cinq réglages sont possibles.

**(G) - Temp de l'eau :** Appuyer pour ajuster la température de vaporisation d'eau. Cinq réglages sont possibles.

**(H) - Temp siège :** Appuyer pour activer le siège chauffé. Appuyer de nouveau pour augmenter la température. Cinq réglages sont possibles.

**(M) - Chauffage (pendant que la fonction de lavage n'est pas activée) :** Appuyer pour activer le siège chauffé. Appuyer de nouveau pour augmenter la température. Trois réglages sont possibles.

**(M) - Chauffage (pendant que la fonction de lavage est activée) :** Appuyer pour régler la température du vaporisateur. Appuyer de nouveau pour augmenter la température. Trois réglages sont possibles.

## Préréglages utilisateur

---

**REMARQUE :** Les préréglages permettent à deux utilisateurs d'enregistrer leurs réglages des fonctions. Lorsque les options « **User 1** » (**Utilisateur 1**) ou « **User 2** » (**Utilisateur 2**) sont sélectionnées, les préférences enregistrées sont activées.

### Configuration des préréglages utilisateur

- Pendant que l'on est assis, ajuster les fonctions du siège selon les préférences.
- Appuyer sur l'icône « **User 1** » (**Utilisateur 1**) ou « **User 2** » (**Utilisateur 2**) pendant 3 secondes pour enregistrer les fonctions activées aux réglages actuels.
- Pour modifier un réglage, ajuster le lavage avant, le lavage arrière ou la fonction du séchoir pendant que le préréglage est en cours d'utilisation. Appuyer sur l'icône « **User 1** » (**Utilisateur 1**) ou « **User 2** » (**Utilisateur 2**) pendant 3 secondes pour stocker le nouveau réglage dans la mémoire.

## Utilisation des préréglages utilisateur

- Appuyer sur l'icône « **User 1** » (**Utilisateur 1**) ou « **User 2** » (**Utilisateur 2**) tout en étant assis pour activer le lavage avant, le lavage arrière, la température et la vitesse du séchoir, et la température du siège aux réglages stockés.
- Si l'on appuie sur l'icône « **User 1** » (**Utilisateur 1**) ou « **User 2** » (**Utilisateur 2**) alors que le siège n'est pas occupé, le siège change graduellement (environ 2 minutes) à la température préréglée.
- Pour réinitialiser ou supprimer un préréglage, appuyer sur les icônes « **User 1** » (**Utilisateur 1**) ou « **User 2** » (**Utilisateur 2**) et « **Stop** » (**Arrêt**) simultanément et continuer à appuyer pendant trois secondes.

## Activer/désactiver les fonctions automatiques

---

### Veilleuse

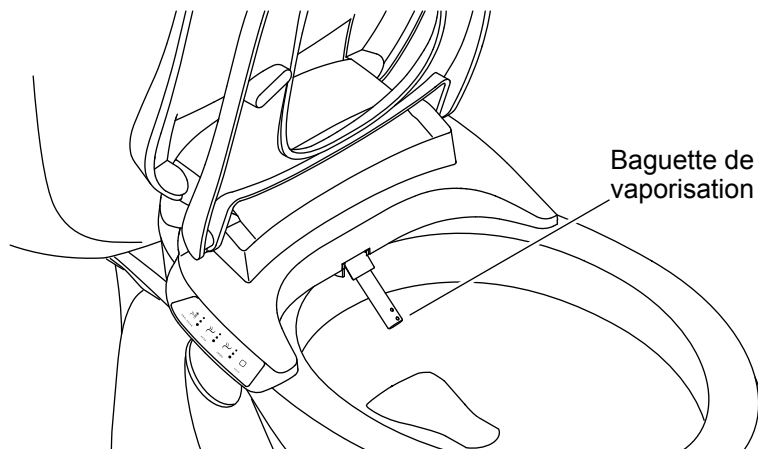
- Pour activer la veilleuse, appuyer sur l'icône « **Front** » (**Avant**) de la télécommande et continuer à appuyer pendant 3 secondes. Un bip bref indique que la veilleuse est activée.
- Pour désactiver la veilleuse, appuyer sur l'icône « **Front** » (**Avant**) de la télécommande et continuer à appuyer pendant 3 secondes. Un bip long indique que la veilleuse est désactivée.

### Conservation d'énergie

**REMARQUE** : La fonction Energy Save (Conservation d'énergie) minimise l'utilisation de l'électricité en désactivant automatiquement la fonction de siège chauffé lorsque le siège est moins susceptible d'être utilisé, en se basant sur l'activité de l'utilisateur de la semaine passée.

- Pour activer la fonction Energy Save (Conservation d'énergie), appuyer sur l'icône « **Heating** » (**Chauffage**) et continuer à appuyer pendant trois secondes. Un bip bref indique que la fonction d'économie d'énergie est activée.
- Pour désactiver la fonction Energy Save (Conservation d'énergie), appuyer sur l'icône « **Heating** » (**Chauffage**) et continuer à appuyer pendant trois secondes. Un long bip indique que la fonction d'économie d'énergie est désactivée et le siège reste au niveau auquel il a été réglé même lorsqu'il n'est pas utilisé.

## Nettoyage de la baguette



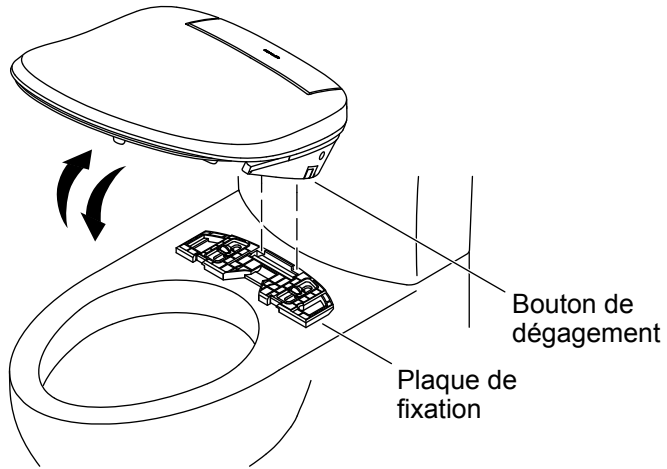
**REMARQUE :** La baguette de vaporisation peut seulement être prolongée pour le nettoyage lorsque le siège n'est pas activé ou occupé.

- Lever le couvercle et le siège.
- Appuyer sur l'icône « **Rear** » (**Arrière**) sur le panneau pour prolonger la baguette vers l'avant pour le nettoyage.
- Nettoyer la baguette de vaporisation avec une brosse à poils doux et de l'eau chaude.
- Appuyer de nouveau sur l'icône « **Stop** » (**Arrêt**) sur le panneau pour rétracter la baguette.

### **Désinfection automatique par UV (si cette fonction est présente)**

- Un cycle automatique de désinfection par UV est activé toutes les 24 heures.
- Un cycle UV en cours se termine lorsque le couvercle du siège est relevé.

## Retrait du siège



**IMPORTANT!** Lors du retrait du siège pour un nettoyage, veiller à ne pas exercer de force sur les raccords du tuyau.

### Pour le nettoyage

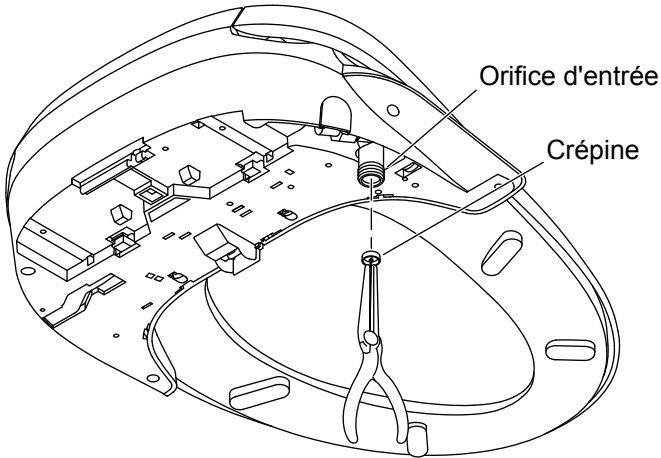
- Appuyer et continuer à appuyer sur le bouton de dégagement.
- Basculer le siège vers le haut et le soulever pour le retirer. Éviter d'exercer une pression sur les tuyaux.
- Nettoyer la zone au besoin.
- Pour réinstaller, engager le bord arrière du siège avec la lèvre sur le support de fixation. Basculer ensuite le siège vers le bas pour le verrouiller en place.

### Pour l'entretien

- Couper l'eau au niveau du robinet d'arrêt d'arrivée.
- Passer la chasse pour relâcher toute pression du tuyau d'arrivée d'eau.
- Débrancher le cordon d'alimentation de la prise électrique.
- Déconnecter le tuyau d'arrivée d'eau de la vanne en T.
- Appuyer et continuer à appuyer sur le bouton de dégagement.

- Basculer le siège vers le haut et le soulever pour le retirer.
- Lorsque l'entretien est terminé, réinstaller le siège et reconnecter tous les composants.

## Nettoyage de la crépine



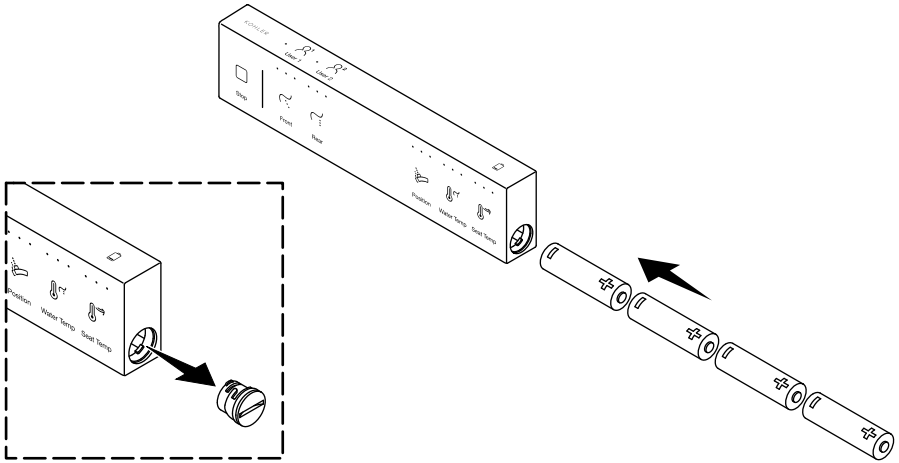
**ATTENTION : Risque d'endommagement du produit.** Ne pas fausser le filetage de la connexion tuyau à orifice d'entrée.

**REMARQUE :** Nettoyer la crépine tous les 6 mois ou lorsqu'il y a une réduction dans le débit d'eau maximum en provenance de la baguette d'arrosage.

- Couper l'eau au niveau du robinet d'arrêt d'arrivée.
- Appuyer sur le bouton de dégagement pour libérer le siège du support de fixation. Se référer à la section « Retrait du siège ».
- Basculer le siège vers le haut pour permettre d'accéder à l'orifice d'entrée du tuyau.
- Déconnecter le tuyau d'alimentation en eau du raccord du siège.
- À l'aide d'une pince à bec long, retirer la crépine de l'orifice d'entrée avec précaution.
- Nettoyer la crépine avec une brosse à poils doux.
- Réinstaller la crépine.
- Reconnecter le tuyau d'alimentation en eau à l'orifice d'entrée, d'un quart de tour au-delà du serrage à la main.
- Réinstaller le siège.

- Ouvrir l'alimentation en eau.
- Inspecter tous les raccords pour y rechercher des fuites éventuelles et effectuer des ajustements au besoin.

## Entretien des piles



- Retirer la télécommande de la station d'accueil à distance.
- Retirer et conserver le capuchon du compartiment à piles.
- Retirer les piles.
- Installer les batteries de rechange, orientées comme sur l'illustration.
- Réinstaller le couvercle du compartiment à piles.
- Placer la télécommande sur la station d'accueil.



# Dépannage

Ce guide de dépannage est seulement destiné à fournir une aide d'ordre général. Un représentant du service agréé Kohler Co. ou un électricien qualifié doit rectifier tous les problèmes électriques. Pour un service de garantie, appeler le 1-800-4KOHLER à partir des É.-U. et du Canada, ou le 001-800-456-4537 à partir du Mexique.

## Fonctions de nettoyage

Symptômes	Cause probable	Action recommandée
1. Les fonctions du siège ne fonctionnent pas.	<p><b>A.</b> Une erreur d'alimentation électrique s'est produite.</p> <p><b>B.</b> Le cordon d'alimentation est débranché.</p> <p><b>C.</b> Le disjoncteur de fuite de terre (GFCI) ou le dispositif à courant résiduel (RCD) a été déclenché.</p> <p><b>D.</b> L'utilisateur n'est pas détecté par le capteur du siège.</p>	<p><b>A.</b> Attendre que l'alimentation électrique soit restaurée.</p> <p><b>B.</b> Brancher le cordon d'alimentation dans une prise électrique protégée par un dispositif GFCI ou RCD.</p> <p><b>C.</b> Réinitialiser le GFCI ou le RCD.</p> <p><b>D1.</b> Changer de position sur le siège. Le capteur se trouve sur l'avant du siège.</p> <p><b>D2.</b> Les petits enfants pourraient être trop légers pour être détectés par le capteur.</p>
2. Le siège est desserré.	<p><b>A.</b> Les dispositifs d'attache de la plaque de fixation sont desserrés.</p>	<p><b>A.</b> Serrer les dispositifs d'attache. Se référer aux instructions d'installation.</p>
3. L'eau s'arrête de s'écouler de la baguette de vaporisation avant que le nettoyage soit terminé.	<p><b>A.</b> Le lavage s'arrête automatiquement 5 minutes après un appui sur une icône de vaporisation.</p> <p><b>B.</b> L'utilisateur a changé de position et n'est plus détecté par le capteur du siège.</p>	<p><b>A.</b> Appuyer sur l'icône « <b>Front</b> » (<b>Avant</b>) ou « <b>Rear</b> » (<b>Arrière</b>) pour redémarrer le nettoyage.</p> <p><b>B.</b> Changer de position sur le siège. Le capteur se trouve sur l'avant du siège.</p>

## Dépannage de la télécommande

Symptômes	Cause probable	Action recommandée
1. La télécommande ne se met pas en marche.	<p><b>A.</b> Les piles ne sont pas installées correctement.</p> <p><b>B.</b> Les piles doivent être remplacées.</p>	<p><b>A.</b> Réinstaller les piles. Se référer à la section « Entretien des piles ».</p> <p><b>B.</b> Remplacer les piles. Se référer à la section « Entretien des piles ».</p>
2. La télécommande ne se connecte pas au siège.	<p><b>A.</b> La télécommande est trop éloignée du siège pour recevoir un signal.</p> <p><b>B.</b> La télécommande n'est pas appariée avec le siège.</p>	<p><b>A.</b> Amener la télécommande plus près du siège pour regagner une connexion.</p> <p><b>B.</b> Appairer la télécommande au siège. Se référer à la section « Télécommande Configuration ».</p>

## Conformité

### ID FCC : N82-KOHLER030, N82-KOHLER031

Cet appareil est conforme à la section 15 des réglementations de la FCC.

L'exploitation est autorisée aux deux conditions suivantes : (1) cet appareil ne doit pas provoquer d'interférences néfastes, et (2) cet appareil doit tolérer les interférences reçues, y compris celles qui risquent de provoquer un fonctionnement indésirable.

Tous changements ou modifications non expressément approuvés par la partie responsable garantissant la conformité, pourraient annuler le droit à l'utilisateur d'opérer l'équipement.

Cet appareil a été testé et est considéré conforme aux limitations d'un appareil numérique de classe B, selon la section 15 des réglementations FCC. Ces limites sont conçues pour fournir une protection raisonnable contre toute interférence nuisible lors d'une installation résidentielle. Cet appareil génère, utilise et peut émettre une énergie de radiofréquence et, s'il n'est pas installé et utilisé conformément aux instructions, pourrait être la cause d'interférences nuisibles aux communications par radio. Cependant, il n'est pas garanti qu'aucune interférence n'aura lieu dans une installation particulière. Si cet appareil cause des interférences nuisibles à la réception radio ou télévision, ce qui peut être déterminé en éteignant l'appareil et en le

rallumant, il est recommandé d'essayer de rectifier cette interférence en prenant l'une ou plusieurs des mesures suivantes :

- Réorienter ou changer l'emplacement de l'antenne de réception.
- Augmenter la séparation entre l'équipement et le récepteur.
- Brancher l'équipement sur une prise d'un circuit différent de celui auquel le récepteur est connecté.
- Consulter un revendeur ou un technicien radio/TV expérimenté pour obtenir de l'assistance.

### **Avertissement d'exposition RF**

Cet émetteur et son antenne sont conformes aux limites d'exposition RF de la FCC pour le public général/l'exposition non contrôlée. Cet appareil ne doit pas être co-localisé ou opéré avec toute autre antenne ou tout autre émetteur. Ce dispositif doit être utilisé avec une distance minimale de 7-7/8 po (200 mm) entre le radiateur et votre corps.

### **Canada IC : 4554A-KOHLER030, 4554A-KOHLER031**

Le présent appareil est conforme aux CNR d'Industrie Canada applicables aux appareils radio exempts de licence. L'exploitation est autorisée aux deux conditions suivantes : (1) cet appareil ne doit pas produire d'interférences, et (2) cet appareil doit tolérer les interférences reçues, y compris celles qui risquent de provoquer un fonctionnement indésirable.

Selon les réglementations d'Industrie Canada, cet émetteur radio peut seulement fonctionner en utilisant une antenne d'un gain maximum (ou moins) et d'un type approuvé pour l'émetteur par Industrie Canada. Pour réduire le potentiel d'une interférence radio pour d'autres utilisateurs, le type d'antenne et son gain doivent être choisis de manière à ce que la puissance isotrope rayonnée équivalente (PIRE) ne soit pas supérieure à ce qui est nécessaire pour une communication réussie.

# Guía del usuario

## Asiento de limpieza

ES

### Gracias por elegir productos KOHLER

---

¿Necesita ayuda? Comuníquese con nuestro Centro de Atención al Cliente.

- EE.UU./Canadá: 1-800-4KOHLER (1-800-456-4537)
- México: 001-800-456-4537
- **Para consultar información sobre piezas de repuesto**, visite [kohler.com/serviceparts](http://kohler.com/serviceparts).
- **Para consultar información de cuidado y limpieza**, visite [kohler.com/clean](http://kohler.com/clean).
- **Patentes:** [kohlercompany.com/patents](http://kohlercompany.com/patents)

### Garantía

---

A este producto lo cubre la **Garantía limitada para inodoros y asientos de inodoro de KOHLER®**, que puede consultarse en [kohler.com/warranty](http://kohler.com/warranty). Solicite una copia en papel de los términos de la garantía al Centro de Atención al Cliente.

### ADVERTENCIAS IMPORTANTES DE SEGURIDAD







---

LEA TODAS LAS INSTRUCCIONES ANTES DE USAR


Al usar productos eléctricos, en especial cuando haya niños presentes, siempre cumpla las precauciones básicas de seguridad, como las siguientes:



**AVISO: Riesgo de lesiones personales.** No retire la cubierta protectora de la lámpara de luz UV. Ver la luz UV directamente puede ocasionar daños a los ojos. Siempre asegúrese de que la lámpara esté apagada antes de abrir la cubierta protectora.

-  **PRECAUCIÓN: Riesgo de lesiones personales.** Solamente personal capacitado de servicio debe cambiar la lámpara de luz UV.
-  **PRECAUCIÓN: Riesgo de daños al producto.** No instale este producto en un lugar donde quede expuesto a humedad excesiva, donde pudiera formarse condensación en la superficie del producto. Al tomar un baño, asegúrese de que haya ventilación adecuada para evitar daños a los componentes electrónicos debidos a altos niveles de humedad.
-  **PRECAUCIÓN: Riesgo de daños al producto.** No suministre corriente eléctrica a la unidad mientras no se haya completado la instalación de la plomería, ya que esto podría causar que el producto no funcionara bien.
-  **PRECAUCIÓN: Riesgo de daños al producto.** No aplique fuerza excesiva a la varilla de rociado.
-  **PRECAUCIÓN: Riesgo de daños al producto o a la propiedad.** Si se empuja la conexión de agua o si se tira de ella podrían ocasionarse fugas de agua.
-  **PRECAUCIÓN: Riesgo de daños al producto.** En áreas donde el agua pudiera congelarse en las tuberías, haga lo necesario para evitar que se congele. El agua que quede en el asiento durante el almacenamiento en invierno se podría congelar. Antes de volver a instalar o a usar la unidad, permita que llegue a la temperatura ambiente.


**NOTA:** En climas cálidos los protectores térmicos podrían activarse durante el almacenamiento o el transporte, lo que causaría que la unidad no funcionara. Antes de instalar la unidad o ponerla en funcionamiento, deje que se enfríe hasta la temperatura ambiente.

 **AVISO: Para reducir el riesgo de electrocución:**

No coloque ni almacene este producto donde pudiera caer o ser jalado hacia dentro de una bañera o de un lavabo.

No lo coloque ni lo deje caer en agua ni en ningún otro líquido.

No trate de sacar del agua algún aparato que haya caído en ella. Desconéctelo de inmediato.

 **AVISO: Para reducir el riesgo de quemaduras, electrocución, incendio o lesiones personales:**

Es necesario que haya supervisión cuando este producto esté siendo usado cerca de niños, ancianos o inválidos, o por ellos mismos. Ajuste la temperatura del asiento para los ancianos, los discapacitados o las personas con piel sensible.

**E**  
**S** Use este producto únicamente con el fin para el que ha sido fabricado, tal como se describe en este manual. Solo use aditamentos que recomiende Kohler Co.

No use este producto si el enchufe o el cable están dañados, si el equipo no funciona adecuadamente, si se ha dejado caer, si ha sufrido daños, o si ha caído en agua. Devuelva el producto para que sea examinado y reparado.

Mantenga el cable alejado de superficies calientes.

Nunca bloquee las aberturas para aire del producto. Evite pelusa, cabello y similares en las aberturas para aire.

Nunca utilice el producto mientras duerma o esté adormilado.

No deje caer ni introduzca objetos en ninguna abertura o manguera.

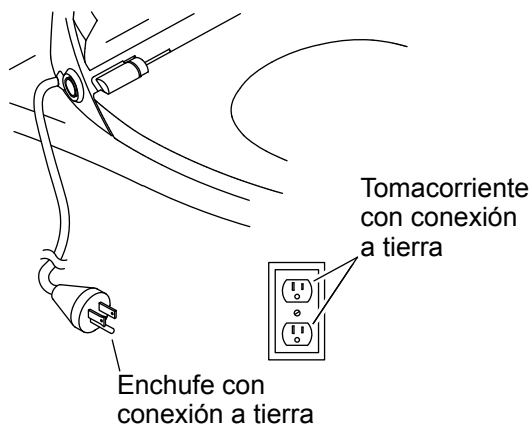
No lo utilice a la intemperie ni en lugares en los que se empleen aerosoles o en los que se administre oxígeno.

Conecte este producto solamente a un tomacorriente correctamente conectado a tierra. Consulte la sección "Instrucciones de conexión a tierra".

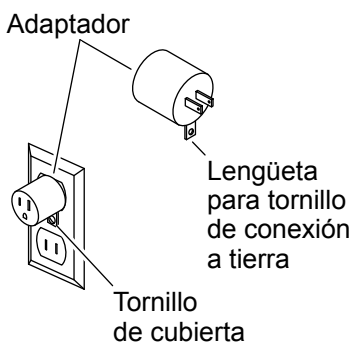
Este producto cumple las estipulaciones de US 21 CFR, Capítulo 1, Subcapítulo J, Salud Radiológica.

**GUARDE ESTAS INSTRUCCIONES**

# Instrucciones de conexión a tierra



## Conexión de preferencia



## Conexión provisional

**⚠ AVISO: Riesgo de sacudidas eléctricas.** Conecte solo a un circuito protegido por un interruptor de circuito con pérdida a tierra (GFCI)\* clase A, que proteja contra peligros de sacudida eléctrica de línea a tierra. Utilice un servicio de 120 V, 60 Hz, 15 A.

Este producto se debe conectar a tierra. En caso de que haya un corto en el circuito eléctrico, la conexión a tierra reduce el riesgo de sacudida eléctrica ya que proporciona un alambre de escape para la corriente eléctrica. Este producto está equipado con un cable que tiene un alambre de conexión a tierra y un enchufe con conexión a tierra. El enchufe debe estar conectado en un tomacorriente bien instalado y conectado a tierra.

**⚠ PELIGRO: Riesgo de sacudidas eléctricas.** El uso incorrecto del enchufe con conexión a tierra puede ocasionar un riesgo de sacudida eléctrica.

Si es necesario reparar o cambiar el cable o el enchufe, no conecte el alambre de conexión a tierra a ninguno de los terminales de hoja plana. El alambre con aislamiento con superficie exterior verde, con o sin rayas amarillas, es el alambre de conexión a tierra.

Si tiene alguna duda de si el producto está bien conectado a tierra o si las instrucciones de conexión a tierra no están completamente claras, solicite la verificación de un electricista calificado o de personal de servicio.



**PRECAUCIÓN: Riesgo de daños a la propiedad.** Se puede usar un cable de extensión siempre que su tipo comience con las letras "SJ", que sea de calibre 12, que tenga conexión a tierra (calibre 12/3 alambres), que no sea más largo de 25 pies (7,6 metros), y que quede conectado a un tomacorriente con protección GFCI\*. Reemplace con urgencia cualquier cable de extensión que parezca estar dañado.

\*Fuera de Estados Unidos es posible que este se conozca como dispositivo de corriente residual (RCD).

**AVISO:** Cumpla los códigos locales cuando determine el tipo de conexión. Es posible que los códigos eléctricos locales no permitan la conexión provisional.

**AVISO:** Para evitar el posible mal funcionamiento del producto, no enchufe el asiento mientras no se le indique hacerlo.

### **Conexión de preferencia**

Conecte el enchufe con conexión a tierra en un tomacorriente conectado a tierra que tenga la misma configuración que el enchufe.

### **Conexión provisional**

**AVISO:** A menos que el tornillo de la tapa del tomacorriente tenga conexión a tierra a través del cableado de la casa, con solo fijar la lengüeta del tornillo de conexión a tierra del adaptador al tornillo de la tapa NO se conecta la unidad a tierra. Si tiene alguna duda de que el tornillo de la tapa esté conectado a tierra, solicite la verificación de un electricista calificado o profesional de servicio.

Donde los códigos locales lo permitan es posible hacer una conexión provisional con un adaptador de 2 clavijas, siempre y cuando el adaptador tenga conexión a tierra.



## Configuración del control remoto

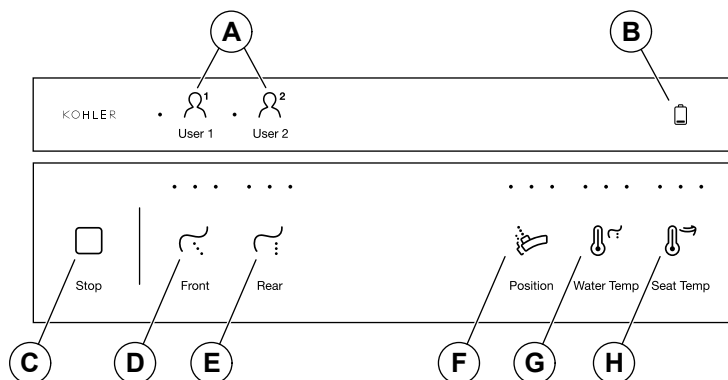
---

**NOTA:** Antes de usar un control remoto es necesario aparearlo al asiento. El control remoto que se incluye ya está apareado con su asiento. Si se requiere un control remoto de repuesto, siga las siguientes instrucciones para aparearlo con su asiento.

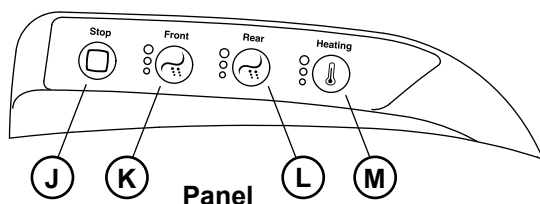
**NOTA:** Se puede aparear solamente un control remoto al asiento a la vez.

- Verifique que haya cuatro (4) pilas AA instaladas correctamente en el control remoto. Consulte la sección “Servicio a las pilas”.
- Acerque el nuevo control remoto al asiento.
- Asegúrese de que retirar el resto de los controles remotos del área cercana al asiento.
- Oprima y sostenga oprimido el icono “**Seat Temp**” hasta que el icono comience a centellear.
- Simultáneamente oprima y sostenga oprimidos los iconos “**Front**” y “**Rear**” en el asiento hasta que escuche un sonido de bip.
- Cuando el icono de secador “**Seat Temp**” en el control remoto deje de centellear y los iconos “**User 1**” y “**User 2**” ya no estén iluminados, el control remoto ha sido apareado con éxito al asiento.

# Funcionamiento



**Control remoto**



**Panel**

**NOTA:** En el caso de funciones con configuraciones múltiples, oprima el icono para cambiar la configuración a un nivel más alto. Si la función se establece a su nivel más alto, al oprimir el icono la función se desactiva o se ajusta a un nivel más bajo.

**NOTA:** Verifique que haya cuatro (4) pilas AA instaladas correctamente en el control remoto.

**(A) - Usuario 1 y Usuario 1:** Las preselecciones permiten a dos usuarios guardar sus selecciones de las funciones. Cuando se selecciona alguno de los iconos de preselección "User 1" o "User 2", se activan las preferencias guardadas. Consulte la sección "Preselecciones del usuario".

**(B) - Indicador de carga:** Muestra el estado de carga de las pilas. Cuando el icono comience a parpadear, será necesario cambiar las pilas. Consulte la sección "Servicio a las pilas".

**(C y J) - Parar:** Oprima para detener las funciones de lavado frontal y lavado posterior.

**(D y K) - Frontal:** Oprima para activar la función de lavado frontal y ajustar la presión del agua de lavado frontal. Hay cinco selecciones.

**(E y L) - Posterior:** Oprima para activar la función de lavado posterior y ajustar la presión del agua de lavado posterior. Hay cinco selecciones.

**(F) - Posición:** Oprima para ajustar la posición de la varilla cuando está activo el lavado frontal o posterior. Hay cinco selecciones.

**(G) - Temperatura del agua:** Oprima para ajustar la temperatura del rocío de agua. Hay cinco selecciones.

**(H) - Temperatura del asiento:** Oprima para activar el asiento con calefacción. Oprímalo de nuevo para aumentar la temperatura. Hay cinco selecciones.

**(M) - Calentamiento (mientras la función de lavado no está activa):** Oprima para activar el asiento con calefacción. Oprímalo de nuevo para aumentar la temperatura. Hay tres selecciones.

**(M) - Calentamiento (mientras la función de lavado está activa):** Oprima para ajustar la temperatura del rocío. Oprímalo de nuevo para aumentar la temperatura. Hay tres selecciones.

## Preselecciones del usuario

---

**NOTA:** Las preselecciones permiten a dos usuarios guardar sus selecciones de las funciones. Cuando se selecciona alguno de los iconos de preselección “User 1” o “User 2”, se activan las preferencias guardadas.

### Cómo configurar las preselecciones del usuario

- Al estar sentado, ajuste las funciones del asiento a sus preferencias.
- Oprima y sostenga oprimido el icono “User 1” o “User 2” durante 3 segundos para guardar los ajustes actuales de las funciones activadas.
- Para cambiar una configuración, ajuste la característica de lavado frontal, lavado posterior, o secado mientras la preselección esté en uso. Oprima y sostenga oprimido el icono “User 1” o “User 2” durante 3 segundos para almacenar el nuevo valor seleccionado a la memoria.

## Uso de preselecciones del usuario

- Oprima el icono **“User 1”** o **“User 2”** al estar sentado en el inodoro para activar el lavado frontal, el lavado posterior, la temperatura y la velocidad del secador, y la temperatura del asiento a sus valores almacenados.
- Si se oprime el icono **“User 1”** o **“User 2”** cuando el inodoro no está ocupado, el asiento cambia gradualmente (aproximadamente en 2 minutos) a la temperatura preseleccionada.
- Para restablecer o borrar un valor preseleccionado, oprima y sostenga oprimidos los iconos **“User 1”** o **“User 2”** y **“Stop”** al mismo tiempo durante 3 segundos.

## Habilitar/Inhabilitar funciones automáticas

---

### Luz nocturna

- Para habilitar la luz nocturna, oprima y sostenga oprimido el icono **“Front”** durante 3 segundos. Un sonido corto indica que la luz nocturna ha sido habilitada.
- Para inhabilitar la luz nocturna, oprima y sostenga oprimido el icono **“Front”** durante 3 segundos. Un sonido largo indica que se ha inhabilitado la luz nocturna.

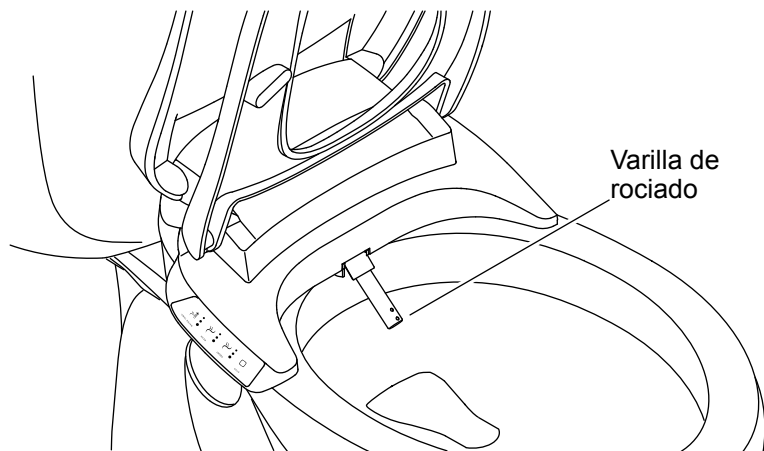
### Modo de ahorro de energía

**NOTA:** La función de modo de ahorro de energía minimiza el uso de electricidad al apagar de manera automática la función de calefacción del asiento cuando es menos probable que se use el asiento, en base a la actividad del usuario la semana anterior.

- Para habilitar el modo de ahorro de energía, oprima y sostenga oprimido el icono de calentamiento **“Heating”** durante 3 segundos. Un sonido corto indica que se ha habilitado el modo de ahorro de energía.
- Para inhabilitar el modo de ahorro de energía, oprima y sostenga oprimido el icono de calentamiento **“Heating”** durante 3 segundos. Un sonido largo indica que la función de ahorro de energía está inhabilitada, y el asiento permanecerá al nivel establecido incluso cuando no esté en uso.

## Limpieza de la varilla

---



**NOTA:** La varilla de rociado solo se puede extender para limpiarla cuando el asiento no está activado u ocupado.

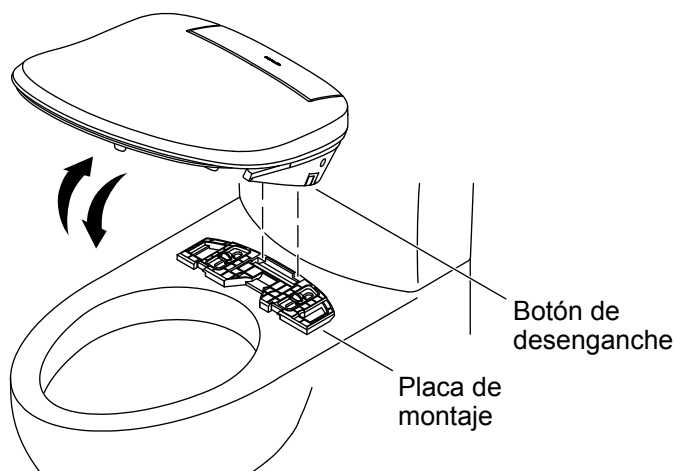
- Levante la tapa y el asiento.
- Oprima el icono de posición "**Rear**" en el panel para extender la varilla hacia adelante para limpiarla.
- Limpie la varilla de rociado con un cepillo de cerdas suaves y agua caliente.
- Oprima el icono "**Stop**" en el panel para retraer la varilla.

### **Desinfección UV automática (si está equipada)**

- Cada 24 horas se activa un ciclo automático de desinfección UV.
- Si se levanta la tapa del asiento, se cancela el ciclo de desinfección UV que está en proceso.

## Desmontaje del asiento

ES



**¡IMPORTANTE!** Al desmontar el asiento para limpiarlo, tenga cuidado para evitar ejercer fuerza en las conexiones de la manguera.

### Para limpiarlo

- Oprima y sostenga oprimido el botón de desenganche.
- Incline el asiento hacia arriba y levántelo para retirarlo. Evite ejercer presión en las mangueras.
- Limpie el área lo que sea necesario.
- Para volver a instalarlo, enganche el borde posterior del asiento con el labio en el soporte de montaje. Luego incline el asiento hacia abajo para bloquearlo en su lugar.

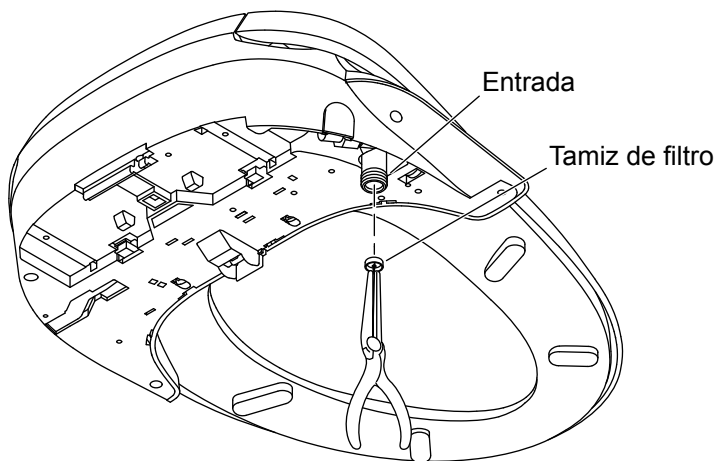
### Para dar servicio

- Cierre el agua en la llave de paso de suministro.
- Accione la descarga del inodoro para eliminar la presión que pueda haber en la manguera de suministro.
- Desenchufe el cable de suministro eléctrico del tomacorriente.
- Desconecte la manguera de suministro de agua de la válvula en T.
- Oprima y sostenga oprimido el botón de desenganche.

- Incline el asiento hacia arriba y levántelo para retirarlo.
- Cuando termine de darle servicio, vuelva a instalarlo y a conectar todos los componentes.

## Limpeza de la pantalla

ES



**⚠ PRECAUCIÓN: Riesgo de daños al producto.** No trasrosque la conexión de la manguera a la línea de entrada.

**NOTA:** Limpie el tamiz de filtro cada 6 meses o en cualquier momento en que baje el flujo de agua máximo de la varilla de rociado.

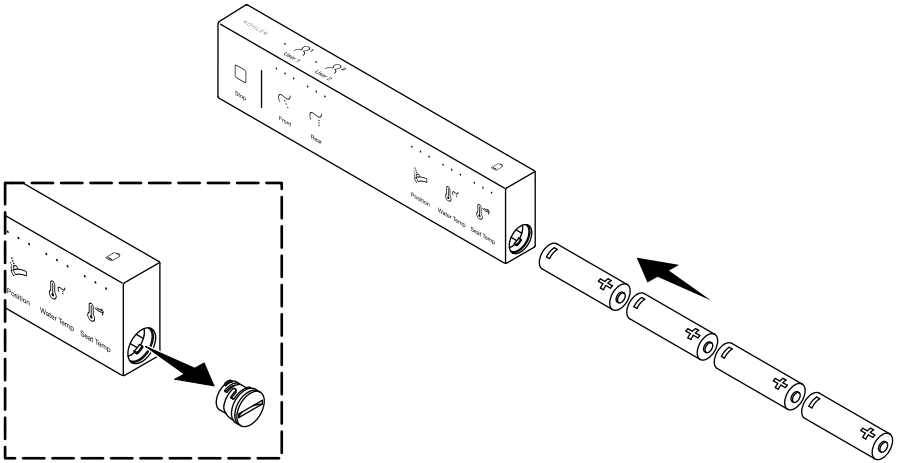
- Cierre el agua en la llave de paso de suministro.
- Oprima el botón de desenganche para soltar el asiento del soporte de montaje. Consulte la sección "Desmontaje del asiento."
- Incline el asiento hacia arriba para dejar acceso libre a la línea de entrada de la manguera.
- Desconecte la manguera de suministro de agua de la conexión al asiento.
- Con pinzas de punta larga retire con cuidado el tamiz de filtro de la línea de entrada.
- Limpie el tamiz de filtro con un cepillo de cerdas suaves.
- Vuelva a instalar el tamiz de filtro.
- Vuelva a conectar la manguera de suministro de agua a la línea de entrada 1/4 de vuelta adicional después de apretar a mano.
- Vuelva a instalar el asiento.



- Abra el suministro de agua.
- Revise todas las conexiones para asegurarse de que no haya fugas, y haga los ajustes necesarios.

# Servicio a las pilas

ES



- Retire el control remoto de la estación remota.
- Retire y retenga la tapa del compartimiento de pilas.
- Saque las pilas.
- Instale las pilas de repuesto, orientadas como se indica.
- Vuelva a instalar la tapa al compartimiento de pilas.
- Coloque el control remoto en la estación para el control remoto.

# Resolución de problemas

Esta guía de localización de averías es solo para ayuda general. Todos los problemas eléctricos deben ser resueltos por un representante de servicio autorizado de Kohler Co. o un electricista capacitado. Para obtener servicio de garantía, llame al 1-800-4KOHLER desde EE.UU. y Canadá, o al 001-800-456-4537 desde México.

E  
S

## Funciones de lavado

Síntomas	Causa probable	Acción recomendada
1. Las funciones del asiento no funcionan.	<p><b>A.</b> Se ha perdido el suministro eléctrico.</p> <p><b>B.</b> El cable de suministro eléctrico está desconectado.</p> <p><b>C.</b> Es posible que se haya disparado el interruptor de circuito con pérdida a tierra (GFCI) o el dispositivo de corriente residual (RCD).</p> <p><b>D.</b> El sensor del asiento no detecta al usuario.</p>	<p><b>A.</b> Espere a que vuelva el suministro eléctrico.</p> <p><b>B.</b> Enchufe el cable de suministro eléctrico al tomacorriente protegido por un GFCI o un RCD.</p> <p><b>C.</b> Restablezca el GFCI o el RCD.</p> <p><b>D1.</b> Cambie su posición en el asiento. El sensor está ubicado en la parte delantera del asiento.</p> <p><b>D2.</b> Es posible que los niños pequeños no pesen lo suficiente para ser detectados por el sensor.</p>
2. El asiento está suelto.	<p><b>A.</b> Los sujetadores de la placa de montaje están sueltos.</p>	<p><b>A.</b> Apriete los sujetadores. Consulte las instrucciones de instalación.</p>

Síntomas	Causa probable	Acción recomendada
3. El agua deja de fluir de la varilla de rociado antes de que termine el proceso de lavado.	<p>A. El lavado se detiene automáticamente 5 minutos después de oprimir un icono de rocío.</p> <p>B. El usuario cambió de posición y ya no lo detecta el sensor del asiento.</p>	<p>A. Oprima el icono “Front” o “Rear” para reiniciar la limpieza.</p> <p>B. Cambie su posición en el asiento. El sensor está ubicado en la parte delantera del asiento.</p>

### Resolución de problemas del control remoto

Síntomas	Causa probable	Acción recomendada
1. El control remoto no enciende.	<p>A. Las pilas no están bien instaladas.</p> <p>B. Es necesario cambiar las pilas.</p>	<p>A. Vuelva a instalar las pilas. Consulte la sección “Servicio a las pilas”.</p> <p>B. Cambie las pilas. Consulte la sección “Servicio a las pilas”.</p>
2. El control remoto no está conectando al asiento.	<p>A. El control remoto está demasiado lejos del asiento para recibir una señal.</p> <p>B. El control remoto no está vinculado con el asiento.</p>	<p>A. Acerque el control remoto al asiento para recobrar la conexión.</p> <p>B. Vincule el control remoto al asiento. Consulte la sección “Configuración del control remoto”.</p>

## Conformidad

ID de la FCC: N82-KOHLER030, N82-KOHLER031

Este dispositivo cumple con la parte 15 de las normas de la FCC. El funcionamiento está sujeto a las siguientes dos condiciones: (1) este dispositivo no puede causar interferencias perjudiciales, y (2) este dispositivo debe aceptar cualquier interferencia que reciba, incluida la interferencia que pudiera causar funcionamiento no deseado.

Cualquier modificación o cambio sin aprobación expresa de la parte responsable del cumplimiento podría invalidar el derecho del usuario a utilizar el producto.

Este equipo ha sido probado, y se ha encontrado que satisface los límites de un aparato digital Clase B, de acuerdo a la sección 15 de las normas de la FCC. Estos límites están diseñados para proveer protección razonable contra interferencia perjudicial en una instalación residencial. Este equipo genera, usa y puede irradiar energía de radiofrecuencia y, si no se instala y se usa de acuerdo con las instrucciones, puede causar interferencia dañina a las comunicaciones de radio. Sin embargo, no hay garantía de que la interferencia no ocurra en una instalación en particular. Si este equipo causa interferencia dañina a la recepción de radio o de televisión, lo que puede determinarse apagando y prendiendo el equipo, se le recomienda al usuario que intente corregir la interferencia mediante una o más de las siguientes medidas:

- Cambie la orientación o reubique la antena de recepción.
- Incremente la separación entre el equipo y el receptor.
- Conecte el equipo a una toma de corriente a un circuito diferente al que está conectado el receptor.
- Consulte con el distribuidor o un técnico con experiencia en radio/TV para obtener ayuda.

### **Advertencia sobre exposición a radiofrecuencias**

Este transmisor con su antena cumple los límites de exposición de radiofrecuencia (RF) de la FCC para la exposición no controlada/población general. Este dispositivo no debe ubicarse ni hacerse funcionar con ninguna otra antena o transmisor. Este dispositivo se debe usar a una distancia mínima de 7-7/8" (200 mm) entre el radiador y su cuerpo.

### **IC de Canadá: 4554A-KOHLER030, 4554A-KOHLER031**

Este dispositivo cumple las normas RSS de excepción de licencia de la Industria de Canadá. El funcionamiento está sujeto a las siguientes dos condiciones: (1) este equipo no debe causar interferencia, y (2) este equipo debe aceptar cualquier interferencia, incluida la interferencia que pueda causar funcionamiento no deseado.

De acuerdo a los reglamentos canadienses Industry Canada, este transmisor de radio solo puede funcionar con una antena de un tipo y ganancia máxima (o menos) aprobados para el transmisor por Industry Canada. Para reducir la interferencia de radio potencial a otros usuarios, el tipo de antena y su ganancia deben elegirse de tal forma que la potencia isotrópica radiada equivalente (EIRP por sus siglas en inglés) no sea mayor que la necesaria para obtener una buena comunicación.





USA/Canada: 1-800-4KOHLER (1-800-456-4537)  
Mexico: 001-800-456-4537  
kohler.com

THE BOLD LOOK  
OF **KOHLER**®

©2021 Kohler Co.



1441871-5

1441871-5-B